



# BT16xxCS SERIES TCXO

## BROOKDALE FREQUENCY CONTROLS, INC.



### FEATURES:

- HERMETICALLY SEALED DIL-14 THRU-HOLE PACKAGE TCXO
- CLIPPED SINEWAVE OUTPUT
- **RoHS Compliant; Pb FREE**
- **REQUEST A CERTIFICATE OF COMPLIANCE**
- FREQUENCY RANGE 8 TO 35.0MHZ
- FREQUENCY STABILITY AS TIGHT AS  $\pm 1.0$  PPM
- -40 TO +85°C TEMPERATURE RANGE AVAILABLE
- **REQUEST A QUOTE ON THIS DEVICE**

### BT16xxCS TCXO SERIES SPECIFICATIONS

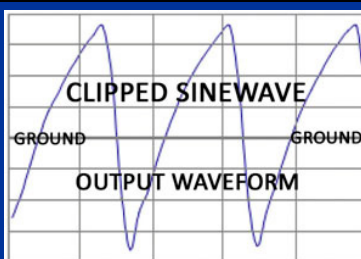
Supply Voltage (Vcc)	5Vdc $\pm 5\%$		3.3Vdc $\pm 5\%$				
Frequency Range	8 to 35.0MHz						
Output Level	1.0Vpp min		0.8Vpp Min.				
Output Wave Form	Clipped Sinewave						
Frequency Tolerance @25°C $\pm 2^\circ\text{C}$	$\pm 1.0$ ppm	$\pm 1.5$ ppm	$\pm 2.0$ ppm	$\pm 2.5$ ppm ( Standard)			
Supply Current	3mA Max						
Output Load	10k $\Omega$ /10pF						
Pull Range	$\pm 5.0$ ppm / $\pm 10.0$ ppm / $\pm 15.0$ ppm / $\pm 20.0$ ppm / $\pm 30.0$ ppm / $\pm 40.0$ ppm / $\pm 50.0$ ppm						
Aging	$\pm 1.0$ ppm Max / Year						
Storage Temperature	-40 to 85°C						
MSL Level	MSL 1 per IPC/JEDEC-STD-020C						
Humidity	85% $\pm 3\%$ RH, 85°C, 168 Hours						
Hermeticity	Leak rate $2 \times 10^{-8}$ ATM-cm <sup>3</sup> /sec max.						
Solderability	MIL-STD-202F method 208E						
Vibration	MIL-STD-202F method 204, (500 to 2000Hz 6g)(10-500Hz 5g)						
Shock	MIL-STD-202F method 213B, test conditions E, 1000GG 1/2sine wave						
SSB Phase Noise @25°C	Offset	10 Hz	100Hz	1 kHz	10 kHz	100 kHz	1 MHz
	3.3V-10.0MHz	98.42dBc/Hz	124.8dBc/Hz	145.3dBc/Hz	156.8 dBc/Hz	159.4 dBc/Hz	159.7dBc/Hz
Frequency Stability (max)	$\pm 1.0$ ppm	$\pm 1.5$ ppm	$\pm 2.0$ ppm	$\pm 2.5$ ppm	$\pm 3.0$ ppm	$\pm 4.0$ ppm	$\pm 5.0$ ppm
Temperature Range (°C)	0 to 60°C	Contact us	YES	YES	YES	YES	YES
	0 to 70°C	Contact us	YES	YES	YES	YES	YES
	-10 to 60°C	N/A	Contact us	YES	YES	YES	YES
	-10 to 70°C	N/A	Contact us	YES	YES	YES	YES
	-20 to 70°C	N/A	Contact us	YES	YES	YES	YES
	-30 to 75°C	N/A	N/A	Contact us	YES	YES	YES
-40 to 85°C	N/A	N/A	N/A	Contact us	YES	YES	YES

### BT16xxCS TCXO SERIES PART NUMBER GUIDE

MODEL	STABILITY	Output	Voltage	OPERATING TEMPERATURE (°C)	Freq. Tolerance	Pull Range	FREQ.
BT16	01= $\pm 1$ ppm	CS=Clipped	5 = 5.0V	B = 0°C TO 60°C	Blank= $\pm 2.5$ ppm@25°C	05= $\pm 5$ ppm	
	15 = $\pm 1.5$ ppm	Sinewave	33 = 3.3V	A = 0°C TO 70°C	A = $\pm 1.0$ ppm@25°C	10= $\pm 10$ ppm	
	02 = $\pm 2$ ppm			C = -10 to 60°C	B = $\pm 1.5$ ppm@25°C	15= $\pm 15$ ppm	
	25 = $\pm 2.5$ ppm			H = -10°C TO 70°C	C = $\pm 2.0$ ppm@25°C	20= $\pm 20$ ppm	
	03 = $\pm 3$ ppm			D = -20°C TO 70°C		30= $\pm 30$ ppm	
	04 = $\pm 4$ ppm			E = -30°C TO 75°C		40= $\pm 40$ ppm	
	05 = $\pm 5$ ppm			M = -40°C TO 85°C		50= $\pm 50$ ppm	

### PART NUMBER EXAMPLE

BT16	02	CS	33	A		15	10.0
------	----	----	----	---	--	----	------



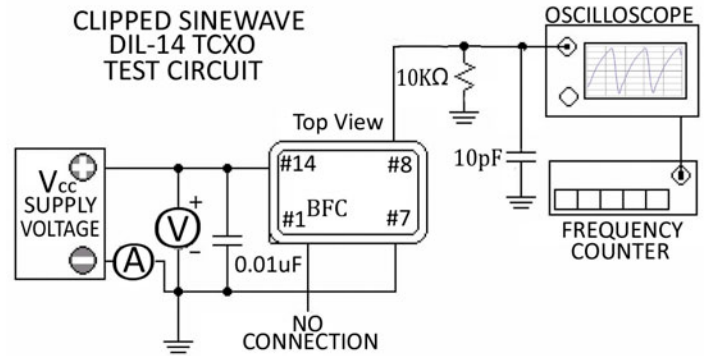
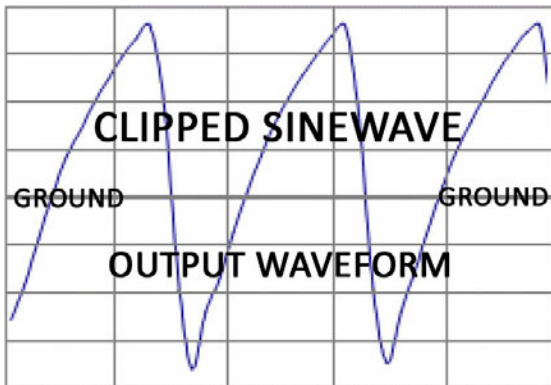
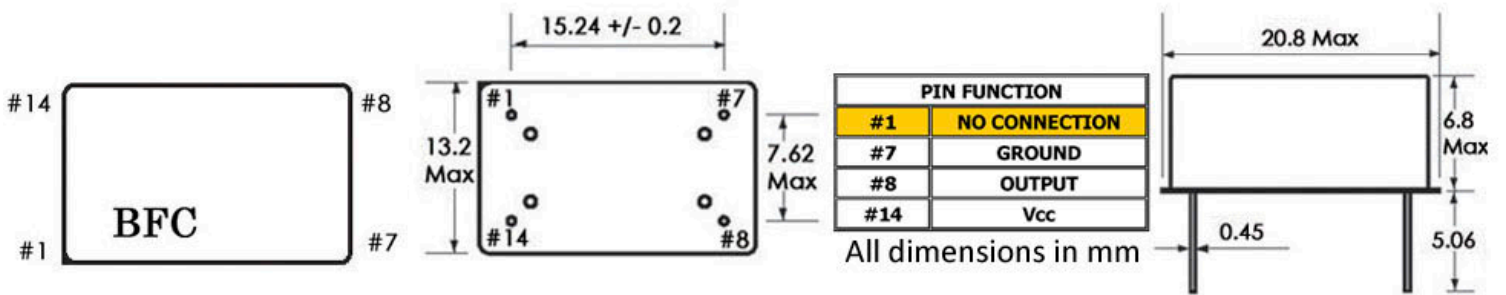


# BT16xxCS SERIES TCXO

BROOKDALE FREQUENCY CONTROLS, INC.



## PACKAGE DIMENSIONS



## dBc PHASE NOISE BT16xxCS33-10.0/ 146.285

