



Features:

- 32.768 kHz Frequency
- Suitable for Time of Day Clock Applications
- Performance with Economic Cost
- Miniature Thermoplastic Package with 2.5mm Height
- Excellent Shock Resistance
- Excellent Environmental Characteristics
- Compatible to Citizen CM200S / Epson MC-306
- **RoHS Compliant (Pb Free)**

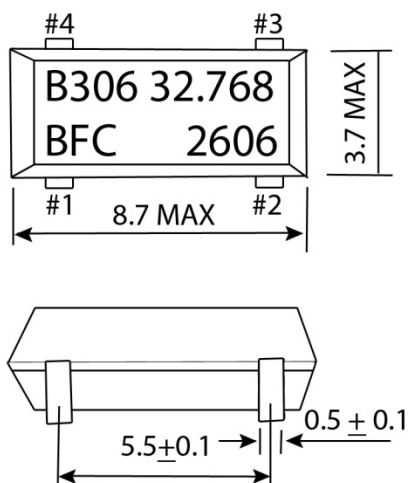


[Click Here for RoHS C of C](#)

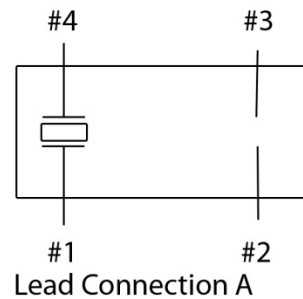
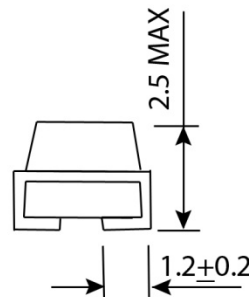
[Click Here for Solder Reflow Profile](#)

[Click Here To Request a Quote](#)

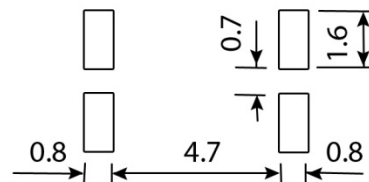
| ELECTRICAL SPECIFICATIONS | | |
|--------------------------------|---|------------|
| Frequency Range | 32.768 kHz | |
| Turnover Temperature | 25°C ± 5°C on a Parabolic Curve | |
| Calibration Tolerance @ 25°C | ± 20ppm Max. | |
| Frequency Stability Ref @ 25°C | Frequency Shift @ T°C in ppm = 0.035 x (T-25) ± 10ppm | |
| Temperature Range | -40 to 85°C, | |
| Crystal Aging | ± 3ppm / Year Maximum | |
| Storage Temperature | -55°C to +125°C | |
| Motional Capacitance | 0.0018pF | |
| Shunt Capacitance | < 1.0pf | |
| Aging (1 st Year) | Equivalent Series Resistance | |
| Load Capacitance (CL) | 6pF to 32pF (12.5pF Load Standard) or Series Resonant | |
| Drive Level | 0.001mW Maximum | |
| Insulation Resistance | 500,000 k Ohms min. | |
| Part Numbering System | | |
| Model | Load (Cl) | Frequency |
| BFC 306 | S = Series | 32.768 kHz |
| | 10pF - 32pF | |
| | Blank = 12.5pF | |



Mechanical Dimensions (mm)



Recommended Solder Pad Layout



All dimensions are typical unless otherwise specified

Brookdale Frequency Controls, Inc.
 81-G E. Jefryn Blvd., Deer Park, NY 11729 USA
 Phone: 1-866-280-7700 or 631-242-1402 Fax:631-595-1845
 E-mail: sales@bfc-inc.com Website: www.bfc-inc.com
 © 2008 Brookdale Frequency Controls, Inc.